

Service Support Spirit

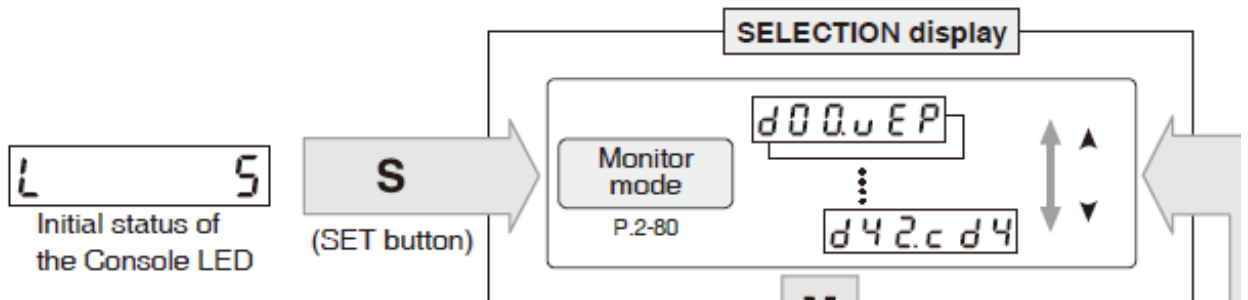
A6 Panasonic servo drive enters monitor mode

➔ Problem: Monitor the sum of pulses equal.

Problem analysis:

✧ Inter monitor mode

Use each button on the touch panel to select the structure and switch the mode.

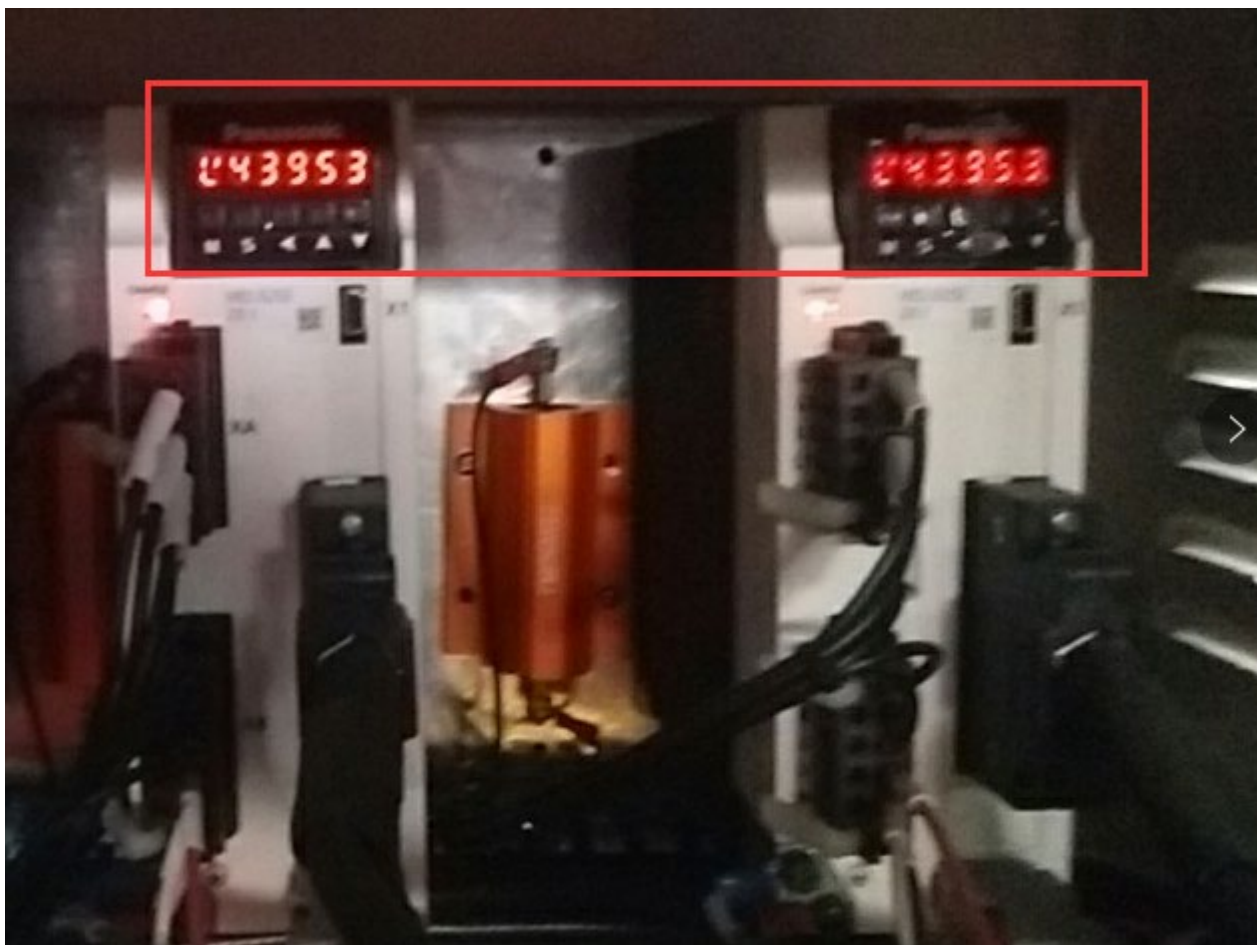


✧ Press up/down—choose d06.Cp5—then press S.

To change the monitor display setting, select the display option to be changed from “**SELECTION** display”, and press **S** to change to “**EXECUTION** display”
 After completion of changing, press **S** to return to the selection display,

Monitor Mode			SELECTION display		
Display example	Description	Pages to refer	Display example	Description	Pages to refer
d00.uEP	Positional command deviation	P.2-81(1)	d18.ict	No. of changes in I/O signals	P.2-90(11)
d01.SPd	Motor speed	P.2-81(2)	d20.RbS	Absolute encoder data	P.2-90(12)
d02.cSP	Positional command speed	P.2-81(2)	d21.RES	Absolute external scale position	P.2-91(13)
d03.cUL	Velocity control command	P.2-81(2)	d22.rEc	No. of encoder/ external scale communication errors monitor	P.2-91(14)
d04.tr9	Torque command	P.2-81(2)	d23.id	Communication axis address	P.2-91(15)
d05.nPS	Feedback pulse sum	P.2-82(3)	d24.PEP	Encoder positional deviation [Encoder unit]	P.2-91(16)
d06.cPS	Command pulse sum	P.2-82(3)	d25.PFE	External scale deviation [External scale unit]	P.2-92(17)

- * System running 2 meters—Is the data displayed on the servo drive screen the same after pausing?



- * System running 2 meters—Is the data displayed on the servo drive screen the same after pausing?

If it is different, it proves that the system plc is damaged and needs to be replaced;

If the same, the drive has a problem and needs to be replaced.