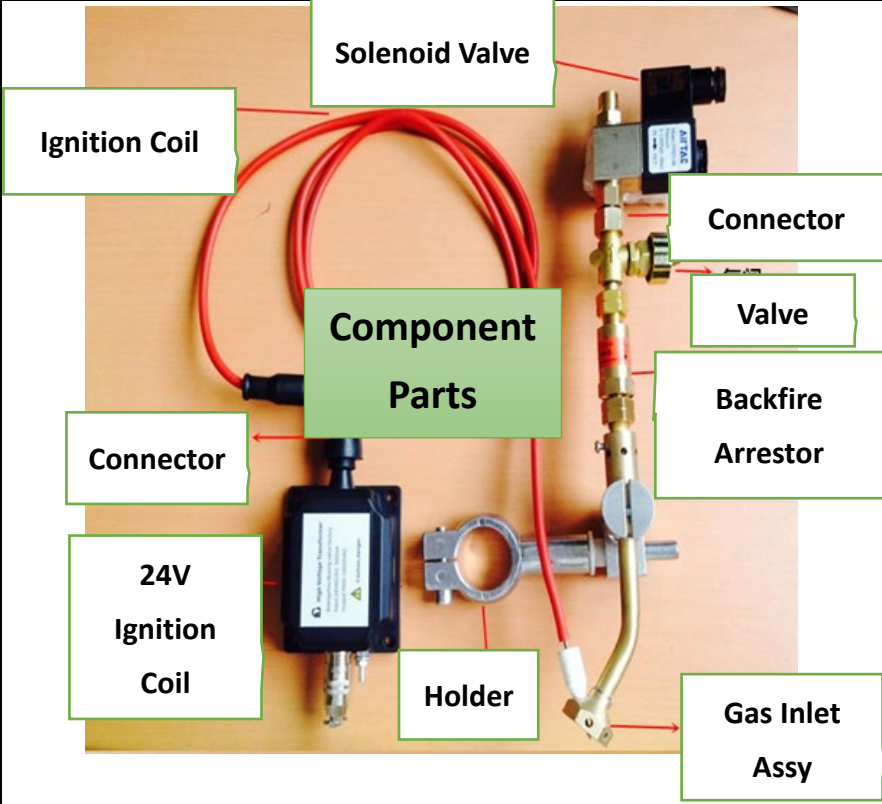


How to Add an Auto Igniter on Thunder X

Step 1-Purchase List

Name	Qty	Unit	Detail
Igniter system	1	Set	
Cable	5	M	Twisted-pair 2.5mm ²
Switch	1	Piece	10A button type switch
Ground Wire	1	M	

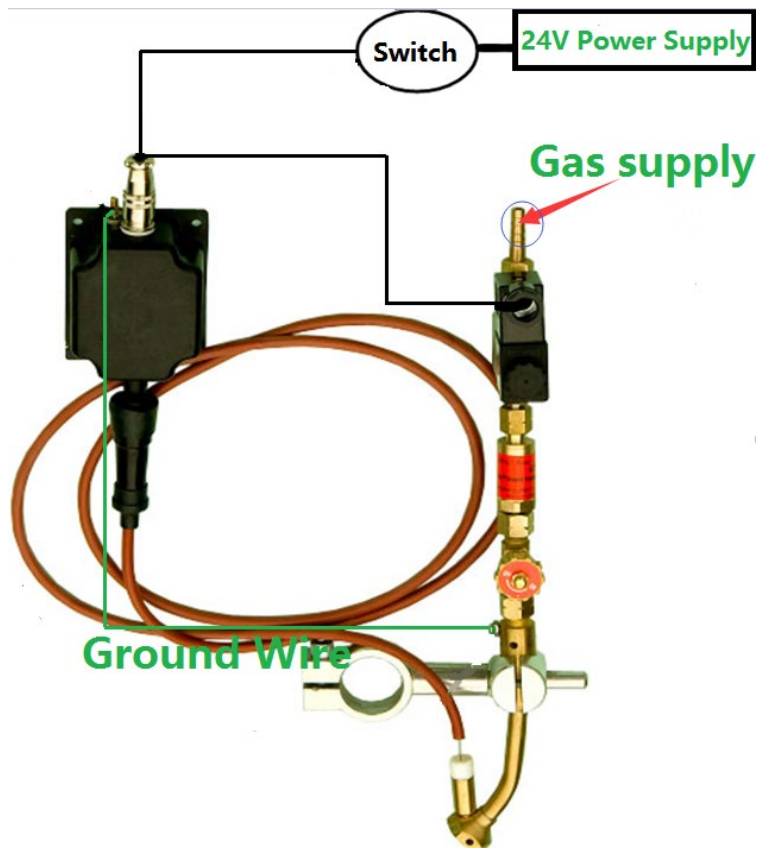
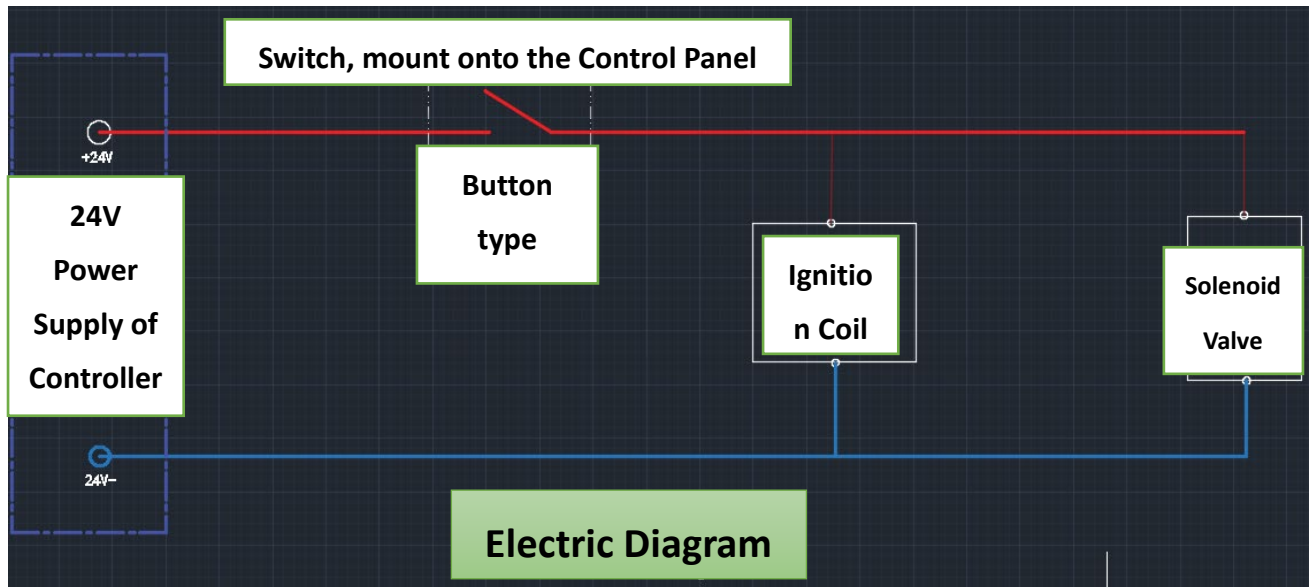
We use the 24V power supply port inside of Controller for this system power supply.

Service Support Spirit

Make a hole onto the Control box to mount the Switch. Wiring Solution according to the diagram

below:

Electric Diagram:



Pls. note:

Service Support Spirit

1-the Panel is a standard one designed for the model which might mount two heads (one is for plasma cut, and the other is flame cut)

2-your machine might only have one torch head only for auto flame cut.