

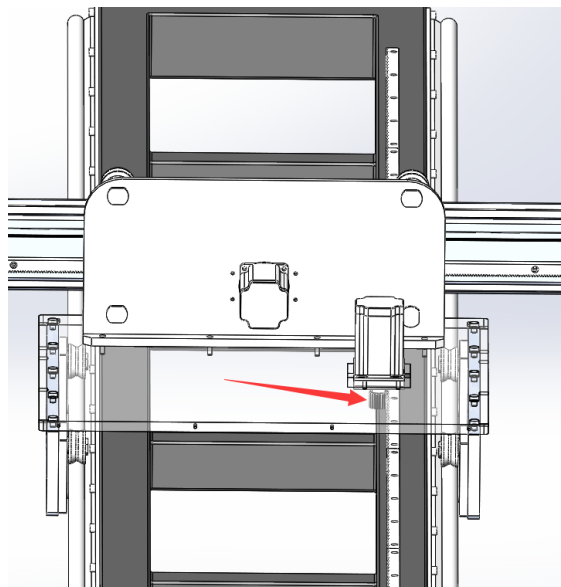
How to adjust the meshing degree of gear and rack--Cruiser-min

➔ Problem : The rack is deformed and cannot mesh with the gear

Solution overview: 1--- We need to take it back to perfect engage position.

➤ Step 1:

Turn off the power supply of the machine. Manually, move it to the position, where gear & rack are perfect engaged. Check Picture 1

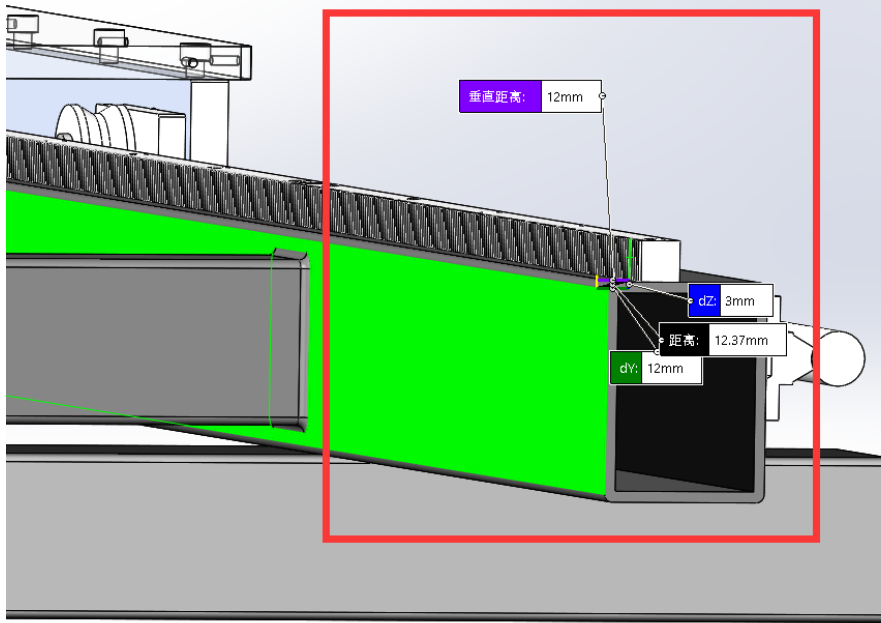


Pic 1

➤ Step 2:

At this perfect engaged position, measure the distance between the rack teeth surface to the wall of the hollow pipe. Use Vernier caliper to do the measurement and record the value.

Check Picture 2

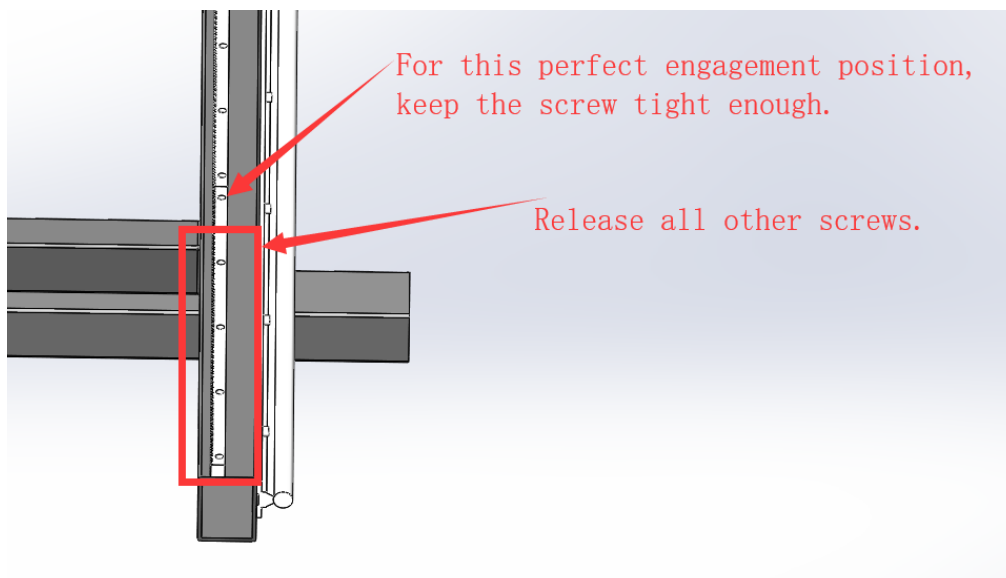


Pic 2

➤ Step 3:

At the perfect position, keep the nearest screw tight. Release all those screws, which are not in perfect engagement.

Check Picture 3



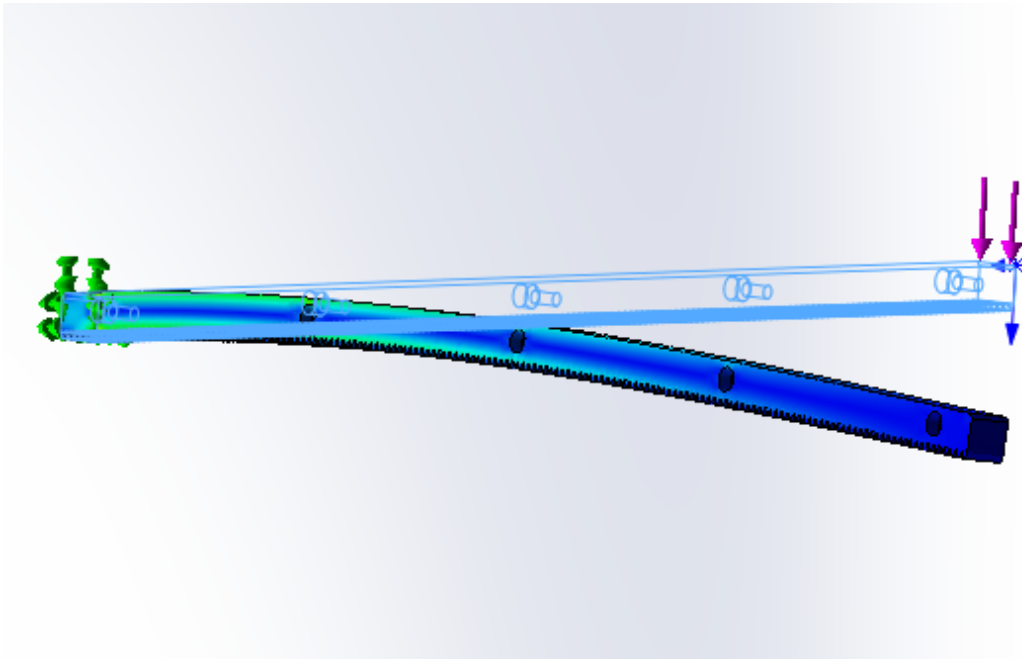
Pic 2

Service Support Spirit

➤ Step 4:

Push the back of the rack, until it reaches same distance as we record in Step 2. Then fasten the screws.

Check Picture 4



Pic 4

We have already fixed this issue. With new manufacturing, we have made the modules for the racks. Now, the rack position will hold in the very accurate position.