

Service Support Spirit

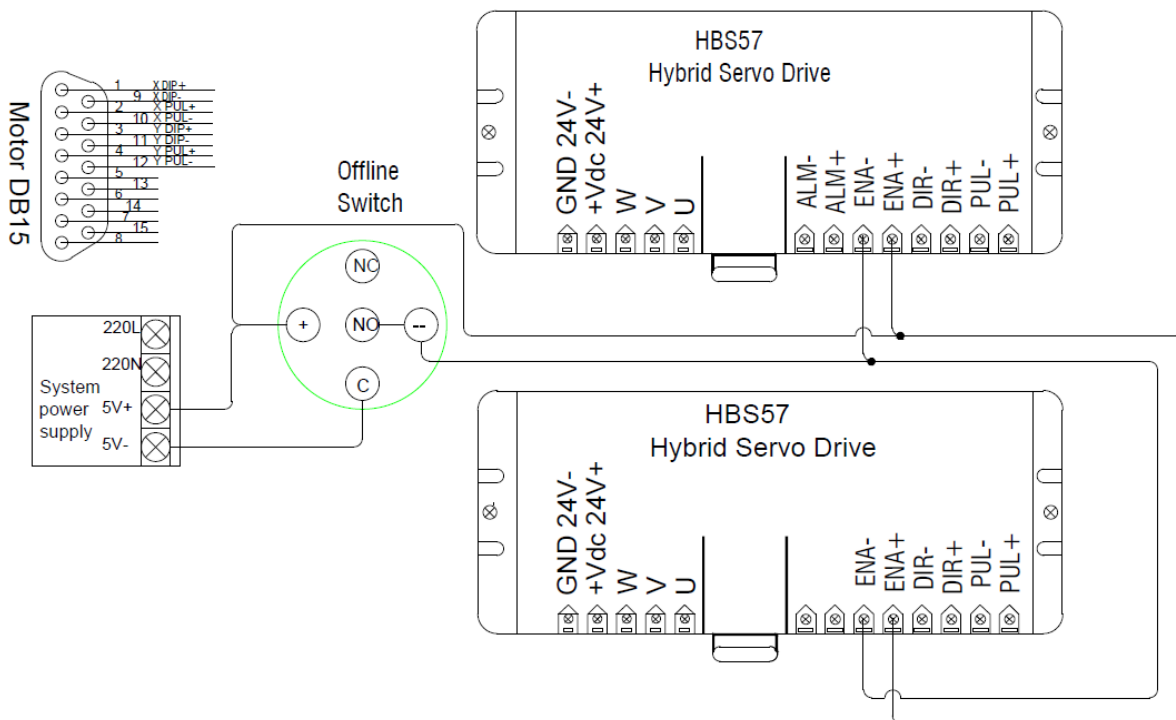
How to change new offline switch-Voyager/Cruiser-mini

➔ Problem : Change new offline switch;

Solution Problem analysis:

Step1: Please turn off the power;

Step2: Connect according to the circuit diagram



WWW.ARCBRO.COM

Offline switch schematic diagram

2018/3/9	Revision	frank
2018/12/10	Revision	

Drive step: 4

Pic1

