

## How to change the proximity switch

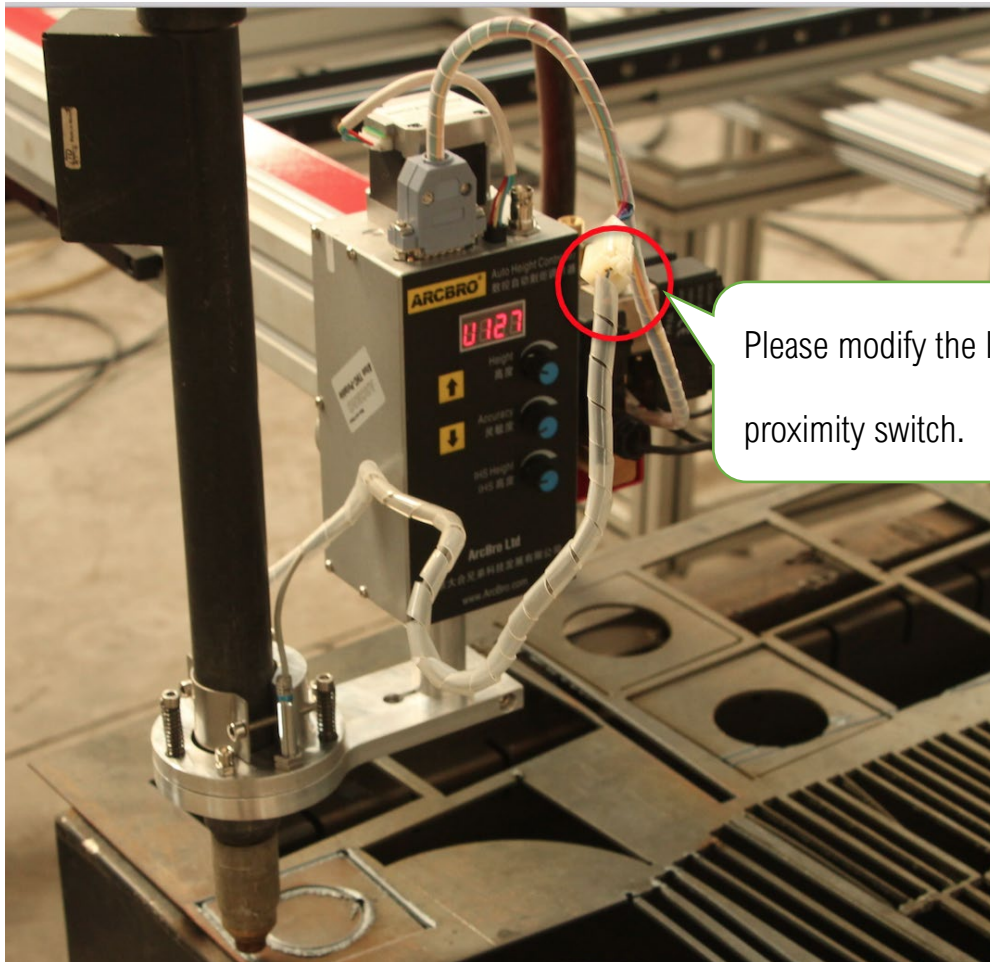
→ Problem: If the two proximity switches do not work at the same time, please modify the wiring of the proximity switch.

Note: If the machine is not equipped with anti-collision; no need to check

Problem analysis:

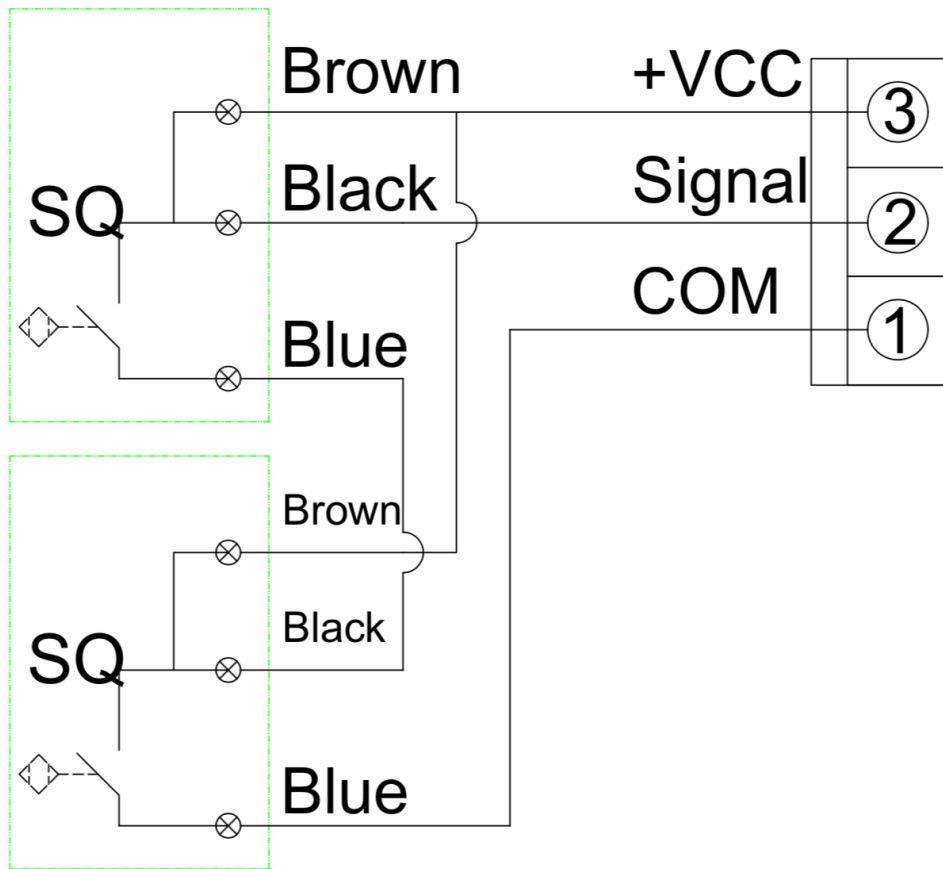
✦ 1. CNC system parameter setting;

Solution: 1. Please unplug the plug and modify the line as shown in the circuit diagram;



Please modify the line of the proximity switch.

# Proximity switch



Anti-collision Connect with new plug

