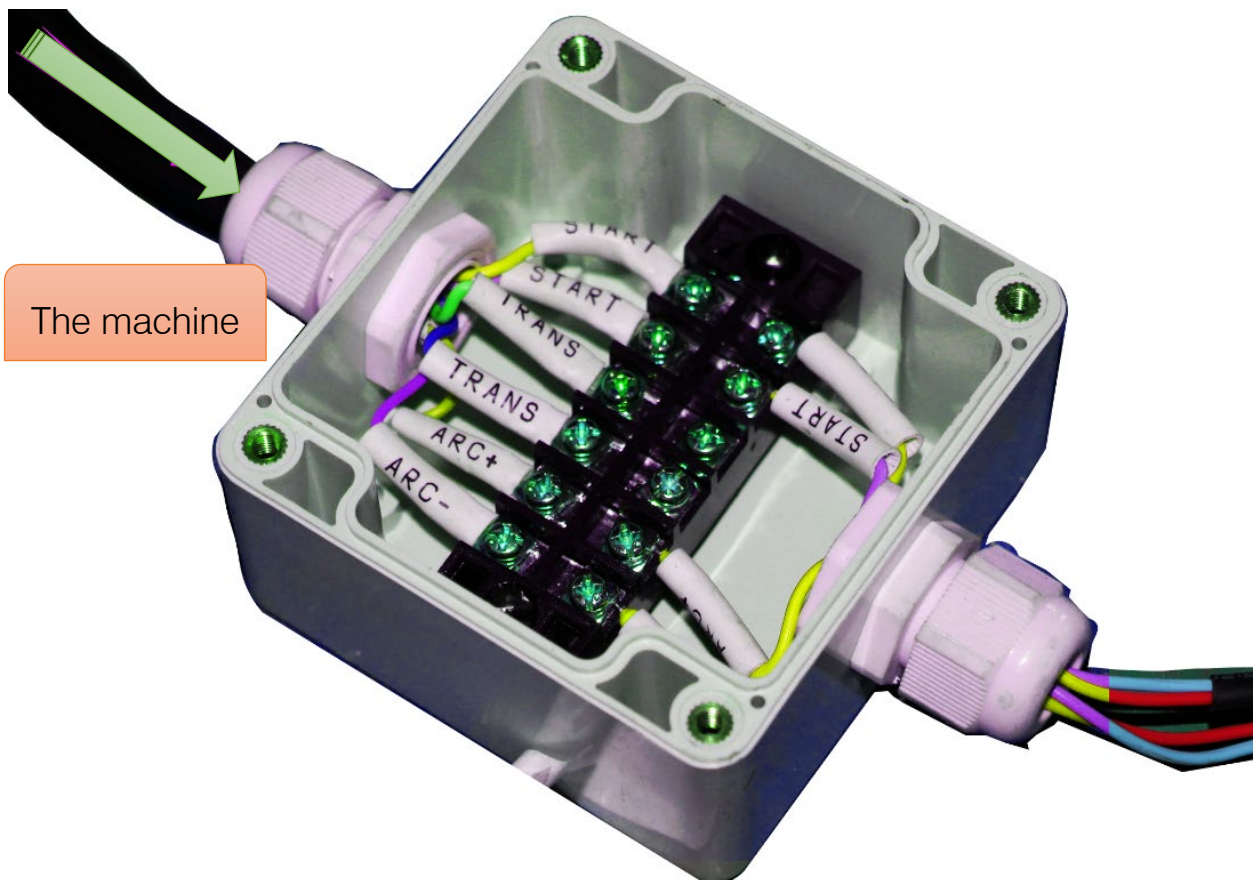


How to connect The LGK200A with Stinger

◆ The LGK200A connect to STINGER, 6 wires need to be connected.

◆ The Machine connect terminal:

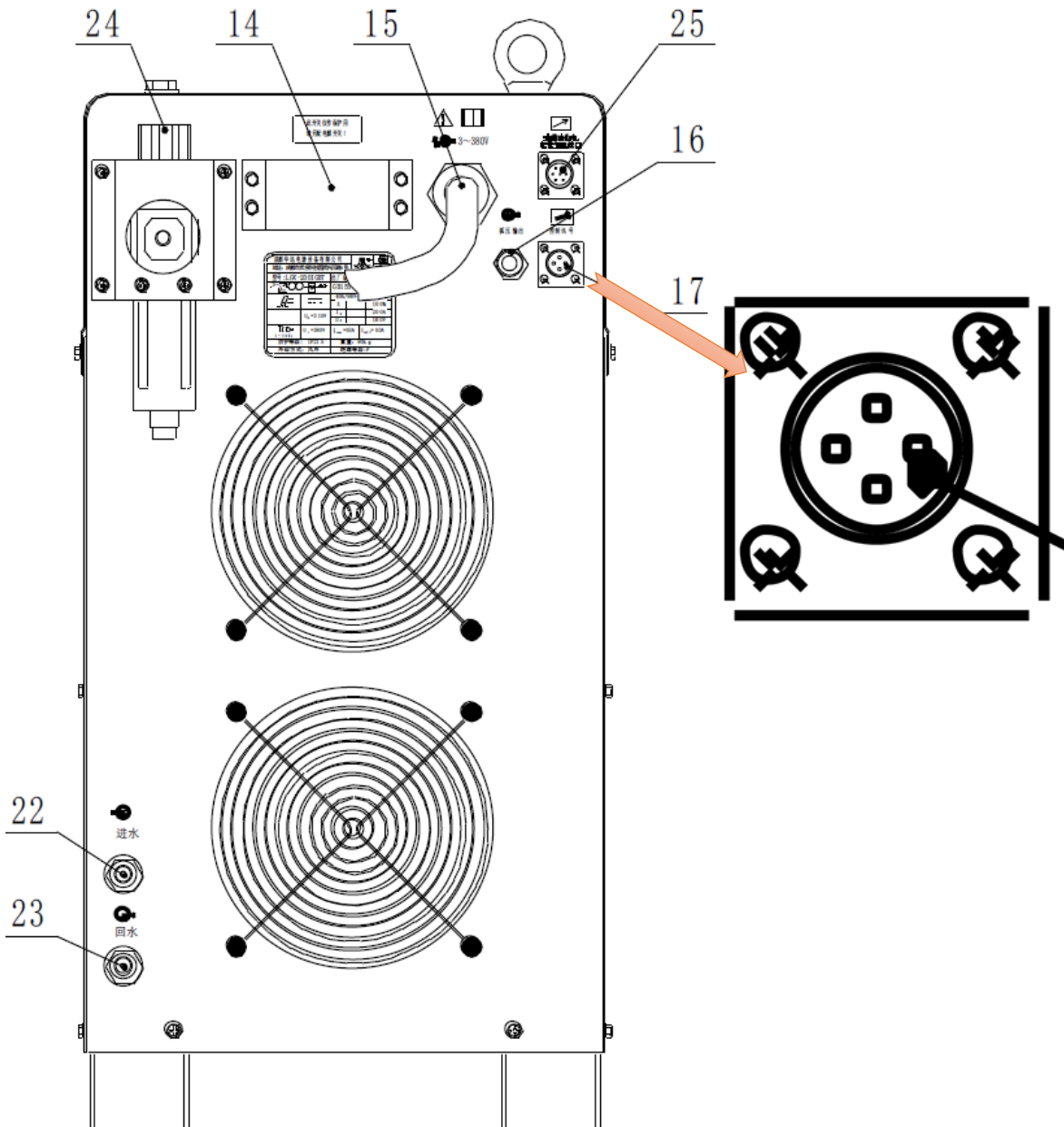
Machine	Aviation plug	Terminal No.	Description
Stinger connect terminal	2-core	START	The CNC plasma arc initiation signal
		START	
	2-core	TRANS/FEEDBACK	Notifies the CNC that an arc transfer has occurred
		TRANS/FEEDBACK	
	2-core	ARC+	The CNC arc voltage signal
		ARC-	



Service Support Spirit

◆ THE LGK200A connect terminal:

Note: The customer needs to connect the power cable according to the actual plasma models.

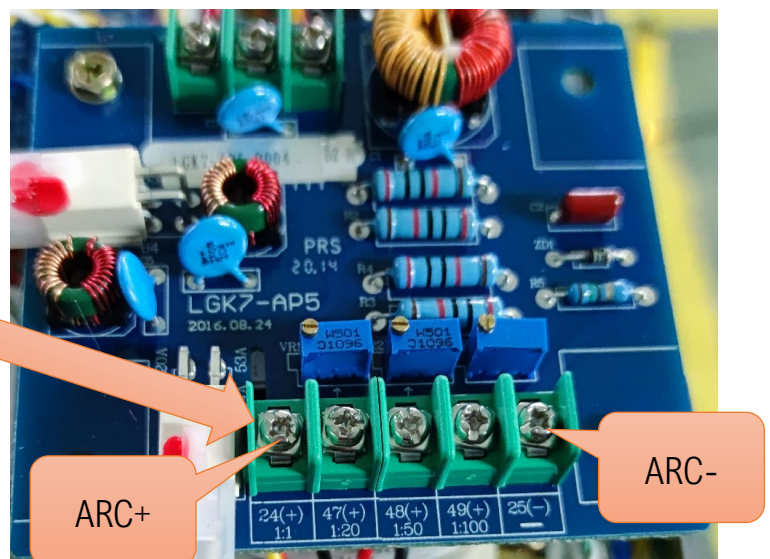
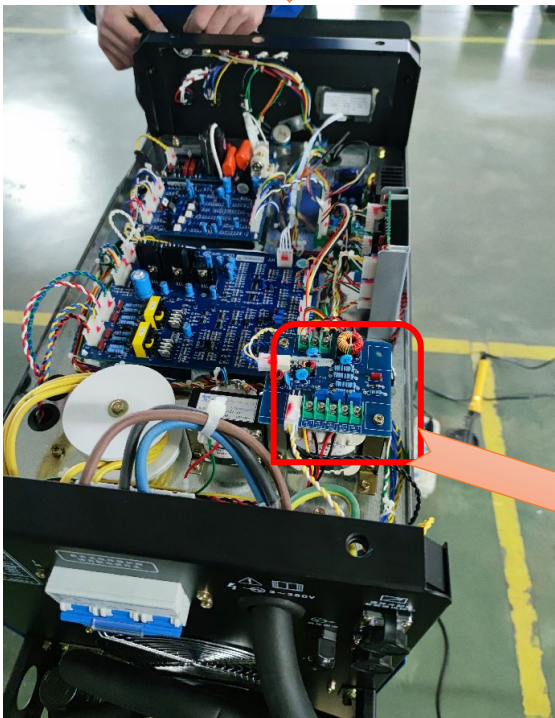


Signal	Type	Notes	Connector sockets
ARC Start	Input	The CNC plasma arc initiation signal	3Pin
ARC Start			4Pin
Successful Signal	Output	Normally open. Dry contact closure when the arc transfers.	1Pin
			2Pin

Service Support Spirit

The original arc voltage position of the plasma power supply:

Open the plasma cover—Lead into the arc voltage cable from the reserved position—Connect arc voltage signal;



Service Support Spirit

◆ Cable connecting method:

	Terminal No.	Corresponding interface of THE LGK200A	The interface position
Stinger connect terminal	START	3 Input Start	THE LGK200A Interface
	START	4 Input Start	
	TRANS/FEEDBACK	1 Output Transfer	
	TRANS/FEEDBACK	2 Output Transfer	
	ARC+	24 Positive electrode	
	ARC-	25 Negative electrode	

◆ Connect the machine to the plasma signal with terminal blocks:

